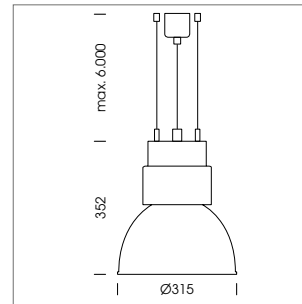


Pendiro CP 300

LED BatWing

LIGHTING TECHNOLOGY

Design	COB Array
Colour code	827 . 830 . 840
Colour rendering index	> 80
Utilised flux	4,920 . 5,150 . 5,380 lm
System power	59 W
Light efficiency	83 . 87 . 91 lm/W
Reflector	BatWing
Beam angle	2 x 25°
Reflector colours	Silver



LUMINAIRE

Weight	3.2 kg
Protection rating . Protection class	IP 20 . I
Luminaire colours	■ ■ □

Suspended luminaire for LED arrays, passive cooling, rated life of the LED L80/B10 > 50,000 h, colour tolerance 3 SDCM (initial), reflector with double asymmetrical light distribution pattern, 99.99% pure aluminium reflector made of MIRO-SILVER®, infinitely adjustable, die cast aluminium luminaire head, powder-coated, driver unit 220-240 V / 50-60Hz, max. 52 luminaires in a circuit (with B16A fuse)

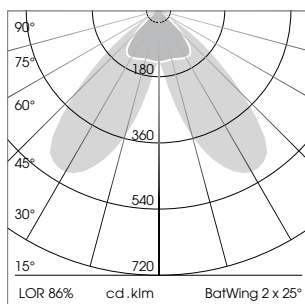
ORDER NUMBER

	■	■	□
827	8037 0010	8037 0013	8037 0016
830	8037 0011	8037 0014	8037 0017
840	8037 0012	8037 0015	8037 0018

Note: All data are typical values and can be changed by technical innovations. This changes will be made without separate notification

OPTIONAL

RAL colours
Mounting accessories

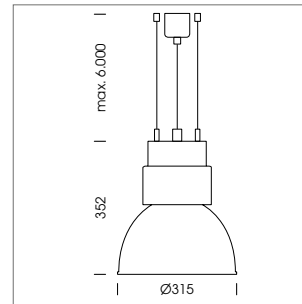


Pendiro CP 300

LED BatWing

LIGHTING TECHNOLOGY

Design	COB Array
Colour code	827 . 830 . 840
Colour rendering index	> 80
Utilised flux	4,990 . 5,240 . 5,460 lm
System power	59 W
Light efficiency	85 . 89 . 93 lm/W
Reflector	BatWing
Beam angle	2 x 35°
Reflector colours	Silver



LUMINAIRE

Weight	3.2 kg
Protection rating . Protection class	IP 20 . I
Luminaire colours	■ ■ □

Suspended luminaire for LED arrays, passive cooling, rated life of the LED L80/B10 > 50,000 h, colour tolerance 3 SDCM (initial), reflector with double asymmetrical light distribution pattern, 99.99% pure aluminium reflector made of MIRO-SILVER®, infinitely adjustable, die cast aluminium luminaire head, powder-coated, driver unit 220-240 V / 50-60Hz, max. 52 luminaires in a circuit (with B16A fuse)

ORDER NUMBER

	■	■	□
827	8037 0001	8037 0004	8037 0007
830	8037 0002	8037 0005	8037 0008
840	8037 0003	8037 0006	8037 0009

Note: All data are typical values and can be changed by technical innovations. This changes will be made without separate notification

OPTIONAL

RAL colours
Mounting accessories

