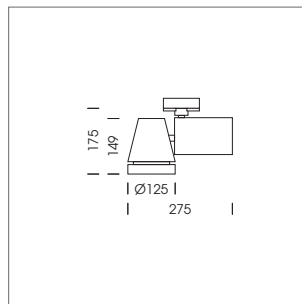


Ontero EC 125

LED BatWing

LIGHTING TECHNOLOGY

Design	COB Array
Colour code	827 . 830 . 840
Colour rendering index	> 80
Utilised flux	5,170 . 5,420 . 5,670 lm
System power	59 W
Light efficiency	88 . 92 . 96 lm/W
Reflector	BatWing
Beam angle	2 x 35°
Reflector colours	Silver



LUMINAIRE

Weight	2.1 kg
Protection rating . Protection class	IP 20 . I
Luminaire colours	■ ■ □

Spotlight for LED arrays, passive cooling, rated life of the LED L80/B10 > 50,000 h, colour tolerance 3 SDCM (initial), reflector with double asymmetrical light distribution pattern, 99.99% pure aluminium reflector made of MIRO-SILVER®, pivoted emitter, adjustable luminaire head, die cast aluminium luminaire housing, powder-coated, multi-adapter, driver unit, 220-240 V, 50/60 Hz, max. 52 luminaires in a circuit (with B16A fuse)

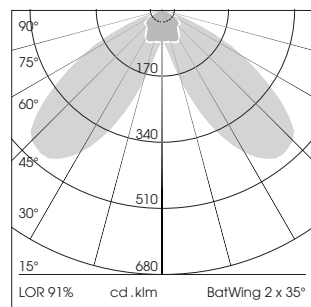
ORDER NUMBER

	■	■	□
827	2036 0001	2036 0004	2036 0007
830	2036 0002	2036 0005	2036 0008
840	2036 0003	2036 0006	2036 0009

Note: Due to further developments in the field of LED technology, the system power may be reduced within the framework of product upgrades

OPTIONAL

RAL colours
Filter holder chromed
Filter discs
Conductor rails and single connectors



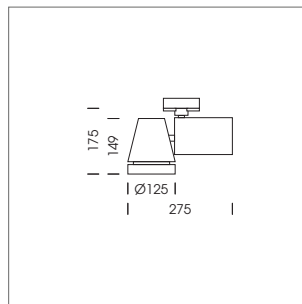
product
design award
2013

Ontero EC 125

LED BatWing

LIGHTING TECHNOLOGY

Design	COB Array
Colour code	827 . 830 . 840
Colour rendering index	> 80
Utilised flux	7,030 . 7,360 . 7,700 lm
System power	77 W
Light efficiency	91 . 96 . 100 lm/W
Reflector	BatWing
Beam angle	2 x 35°
Reflector colours	Silver



LUMINAIRE

Weight	2.1 kg
Protection rating . Protection class	IP 20 . I
Luminaire colours	■ ■ □

Spotlight for LED arrays, passive cooling, rated life of the LED L80/B10 > 50,000 h, colour tolerance 3 SDCM (initial), reflector with double asymmetrical light distribution pattern, 99.99% pure aluminium reflector made of MIRO-SILVER®, pivoted emitter, adjustable luminaire head, die cast aluminium luminaire housing, powder-coated, multi-adapter, driver unit, 220-240 V, 50/60 Hz, max. 52 luminaires in a circuit (with B16A fuse)

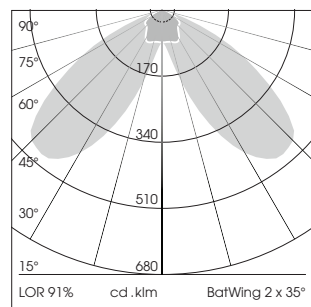
ORDER NUMBER

	■	■	□
927	2035 0001	2035 0004	2035 0007
930	2035 0002	2035 0005	2018 0008
940	2035 0003	2035 0006	2018 0009

Note: Due to further developments in the field of LED technology, the system power may be reduced within the framework of product upgrades

OPTIONAL

RAL colours
Filter holder chromed
Filter discs
Conductor rails and single connectors



product
design award
2013