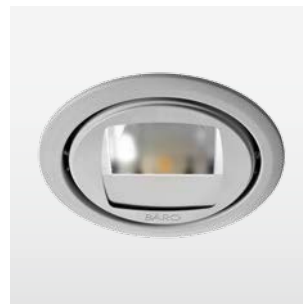
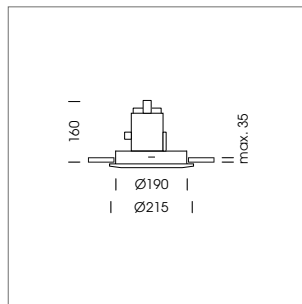


Intara RD 197

LED WallBeam

LIGHTING TECHNOLOGY

Design	COB Array
Colour code	827 . 830 . 840
Colour rendering index	> 80
Utilised flux	2,560 . 2.650 . 2.850 lm
System power	39 W (700 mA)
Light efficiency	66 . 68 . 73 lm/W
Reflector	WallBeam
Reflector colours	Silver



LUMINAIRE

Pivot angle	175°
Angle of adjustment	1 x 25°
Weight without driver unit	1.4 kg
Protection rating . Protection class	IP 20 . I
Luminaire colours	■ ■ □

Recessed luminaire with LED array, passive cooling, thermal protection for LEDs, rated life of the LED L70B50 > 50,000 h, colour tolerance 3 SDCM (initial), reflector with asymmetrical light distribution pattern, 99.99% pure aluminium reflector made of MIRO-SILVER®, infinitely adjustable and pivotable, sheet steel mounting frame and luminaire housing, powder-coated, separate driver unit 220-240 V / 50-60 Hz, max. 73 luminaires in a circuit (with B16A fuse)

ORDER NUMBER

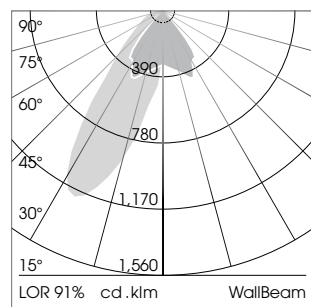
	■	■	□
827	5033 0001	5033 0004	5033 0007
830	5033 0002	5033 0005	5033 0008
840	5033 0003	5033 0006	5033 0009

Including driver unit 7650 0023 (700 mA . 39 W) and feed-through wiring set

Note: All data are typical values and can be changed by technical innovations. This changes will be made without separate notification

OPTIONAL

RAL colours	
Mounting accessories	
DALI-compatible driver	7650 0004 (700 mA . 39 W)

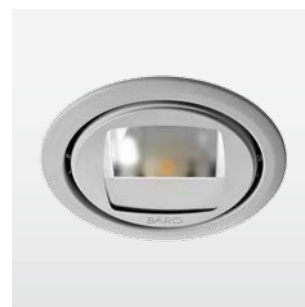
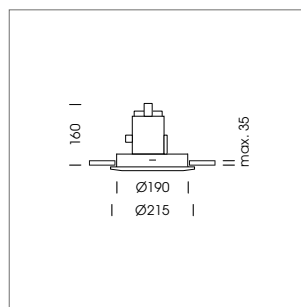


Intara RD 197

LED WallBeam

LIGHTING TECHNOLOGY

Design	COB Array
Colour code	827 . 830 . 840
Colour rendering index	> 80
Utilised flux	3,700 . 3,830 . 4,120 lm
System power	59 W (1,050 mA)
Light efficiency	63 . 65 . 70 lm/W
Reflector	WallBeam
Reflector colours	Silver



LUMINAIRE

Pivot angle	175°
Angle of adjustment	1 x 25°
Weight without driver unit	1.4 kg
Protection rating . Protection class	IP 20 . I
Luminaire colours	■ ■ □

Recessed luminaire with LED array, active cooling, thermal protection for LEDs, rated life of the LED L70B50 > 50,000 h, colour tolerance 3 SDCM (initial), reflector with asymmetrical light distribution pattern, 99.99% pure aluminium reflector made of MIRO-SILVER®, infinitely adjustable and pivotable, sheet steel mounting frame and luminaire housing, powder-coated, separate driver unit 220-240 V / 50-60 Hz, max. 52 luminaires in a circuit (with B16A fuse)

ORDER NUMBER

	■	■	□
827	5024 0010	5024 0013	5024 0016
830	5024 0011	5024 0014	5024 0017
840	5024 0012	5024 0015	5024 0018

Including driver unit 7650 0025 (1,050 mA . 59 W) and feed-through wiring set

Note: All data are typical values and can be changed by technical innovations. This changes will be made without separate notification

OPTIONAL

RAL colours	
Mounting accessories	
DALI-compatible driver	7650 0008 (1,050 mA . 59 W)

